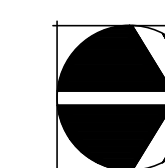


Revisions



NORTH

0 5' 10' 20'
SCALE: 1" = 10'

Designed by: AM
Drawn by: AVM
Checked by: AM

Drawing Name:
SIGN AND STRIPING PLAN

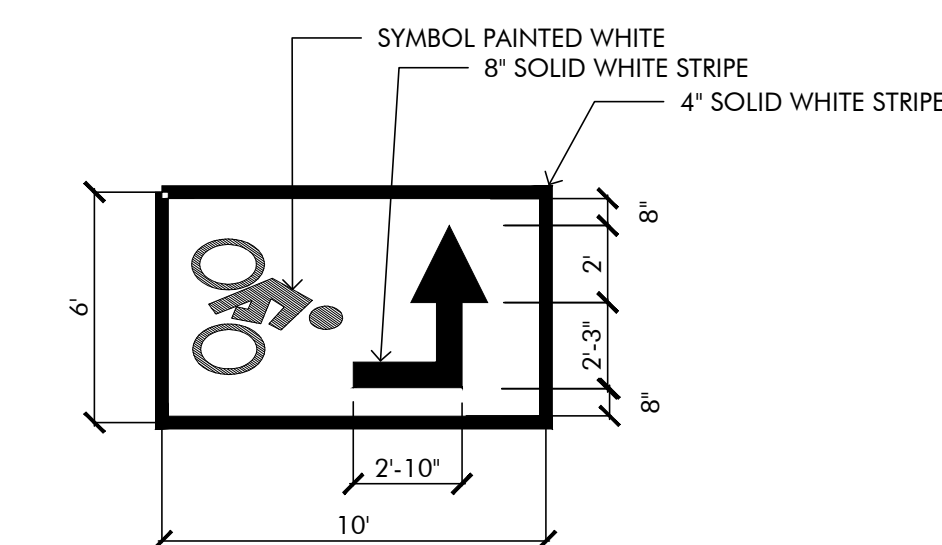
Project Number: 1632
Sheet Date: 04/28/2017
Sheet Number: **L1**

SYMBOLS LEGEND

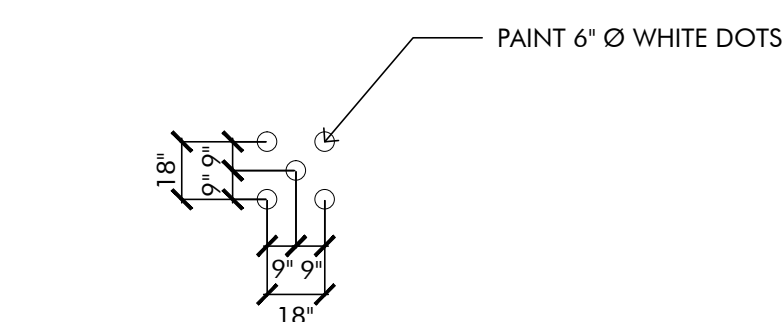
- (A) INSTALL STOP SIGN (R1-1)
- (B) INSTALL YIELD SIGN (R1-2)
- (C) INSTALL KEEP RIGHT SIGN (R4-7)
- (D) INSTALL CHEVRON ARROW SIGN (W1-8)
- (E) INSTALL PEDESTRIAN CROSSING SIGN (W11-2)
- (F) INSTALL BEGIN RIGHT TURN LANE YIELD TO BIKES SIGN (R4-4)
- (G) INSTALL BIKES YIELD TO PEDS SIGN (R9-6)
- (H) INSTALL BIKE LANE SIGN (R3-17), ENDS SIGN (R3-17bp) AND MERGE OR USE PATH SIGN

- ① SKILLS HUB SIGN
- ② SKILLS HUB SIGN
- ③ SKILLS HUB SIGN
- ④ SKILLS HUB SIGN

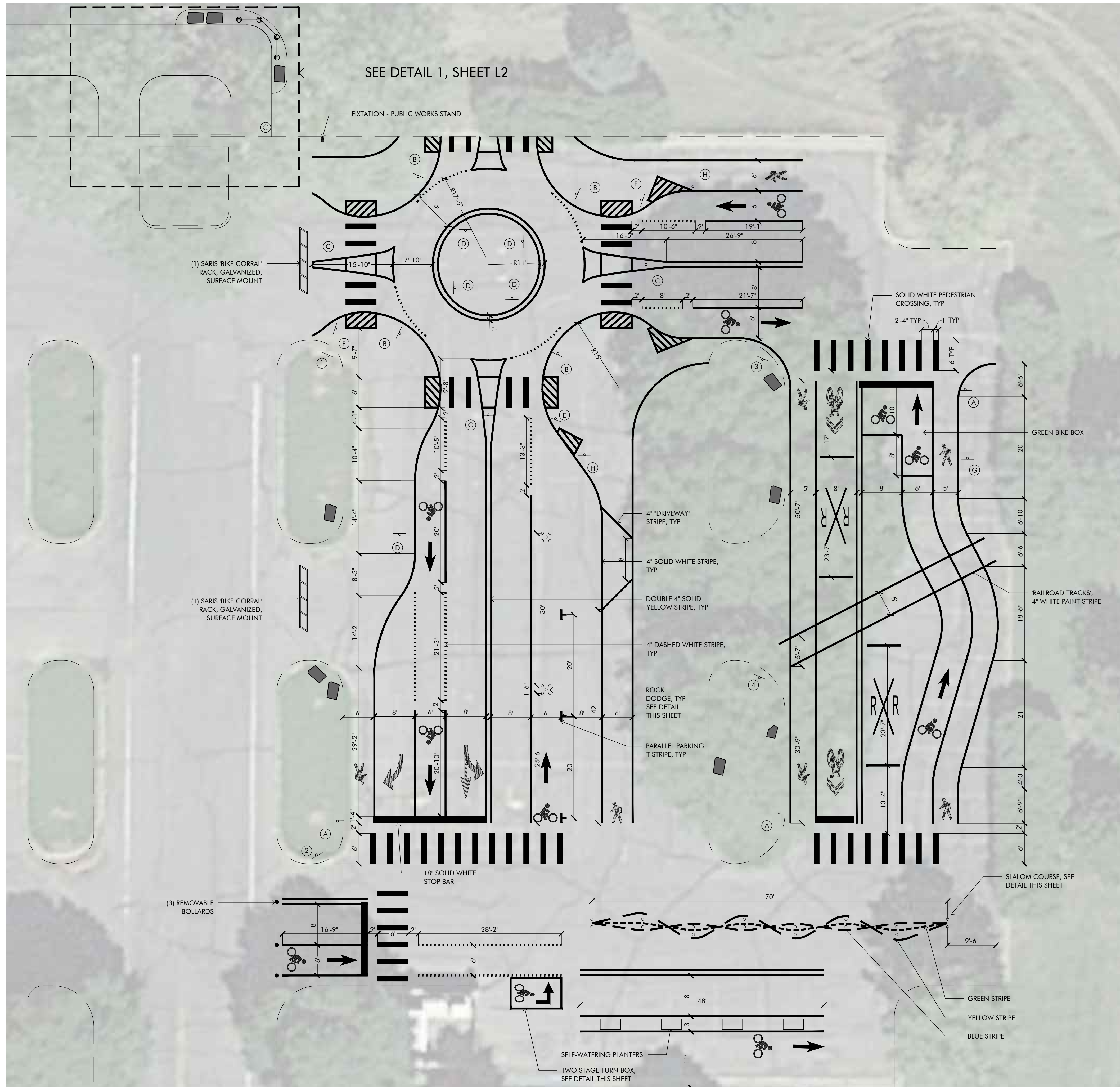
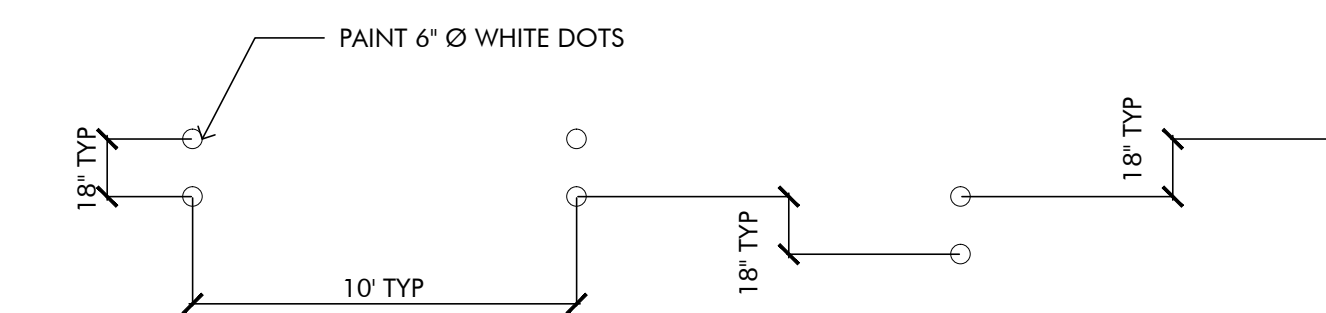
TWO STAGE TURN BOX



ROCK DODGE



SLALOM COURSE



SEE DETAIL 1, SHEET L2

FIXTATION - PUBLIC WORKS STAND

(1) SARIS 'BIKE CORRAL' RACK, GALVANIZED, SURFACE MOUNT

(1) SARIS 'BIKE CORRAL' RACK, GALVANIZED, SURFACE MOUNT

(3) REMOVABLE BOLLARDS

18" SOLID WHITE STOP BAR

SELF-WATERING PLANTERS

TWO STAGE TURN BOX, SEE DETAIL THIS SHEET

SOLID WHITE PEDESTRIAN CROSSING, TYP
2'-4" TYP
1' TYP

GREEN BIKE BOX

RAILROAD TRACKS, 4" WHITE PAINT STRIPE

SLALOM COURSE, SEE DETAIL THIS SHEET

GREEN STRIPE
YELLOW STRIPE
BLUE STRIPE

4" 'DRIVEWAY' STRIPE, TYP

4" SOLID WHITE STRIPE, TYP

DOUBLE 4" SOLID YELLOW STRIPE, TYP

4" DASHED WHITE STRIPE, TYP

ROCK DODGE, TYP
SEE DETAIL THIS SHEET

PARALLEL PARKING T STRIPE, TYP